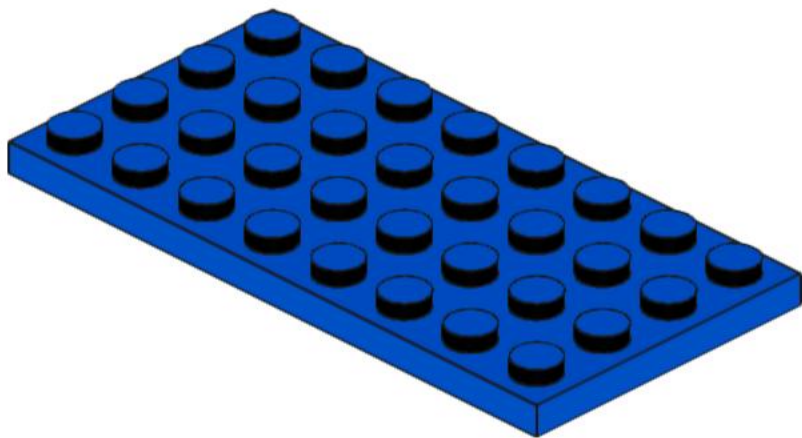
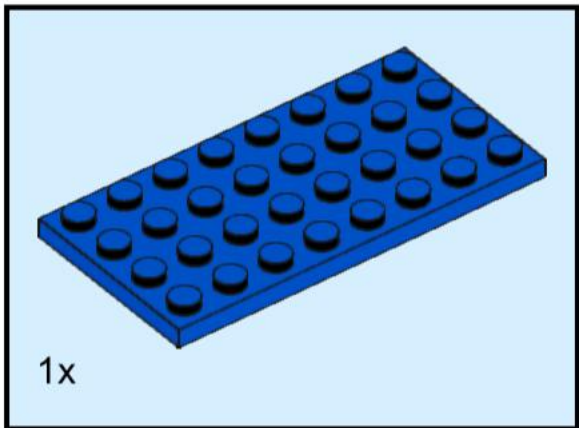
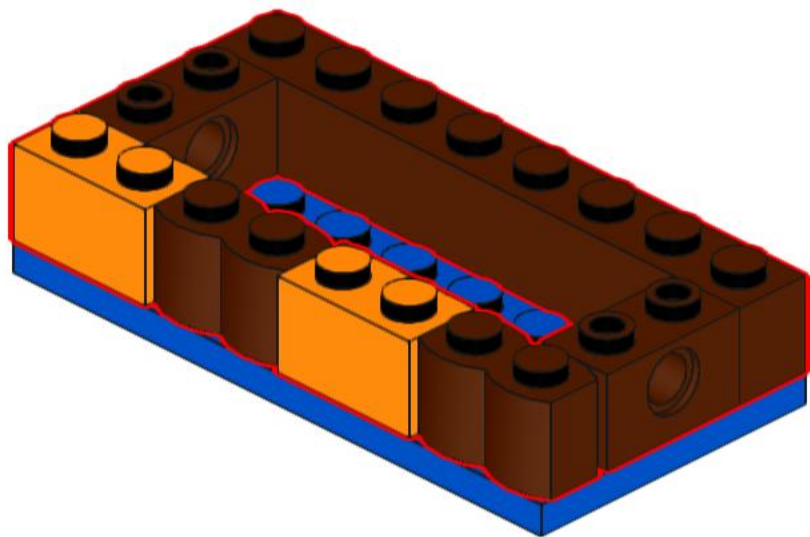
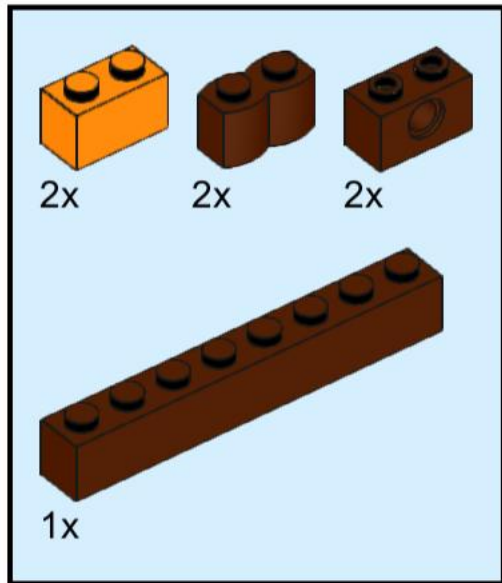


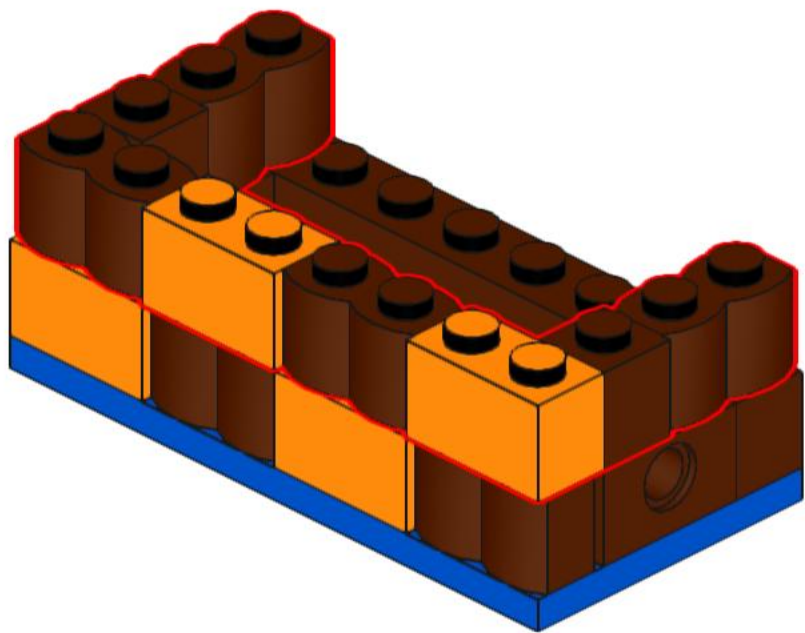
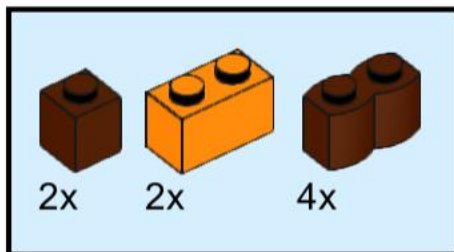
# 1



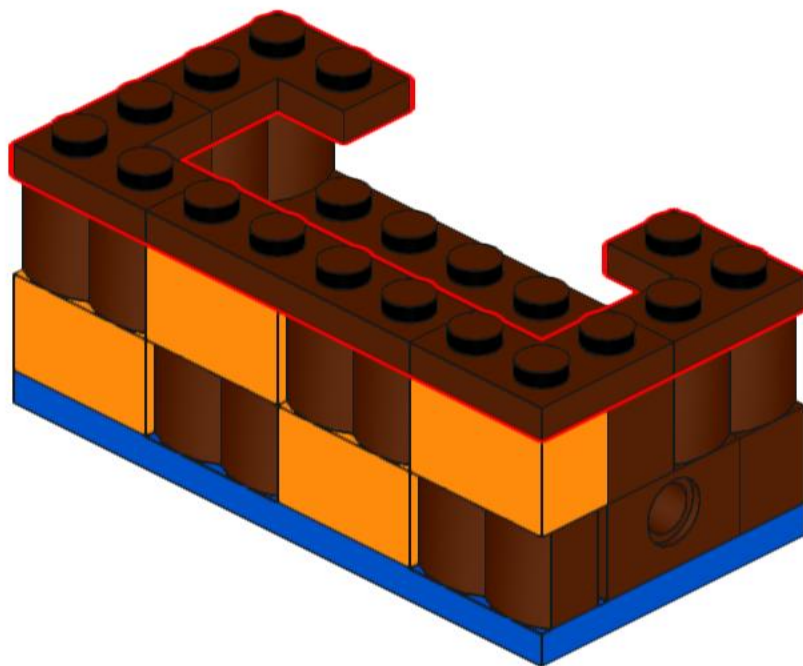
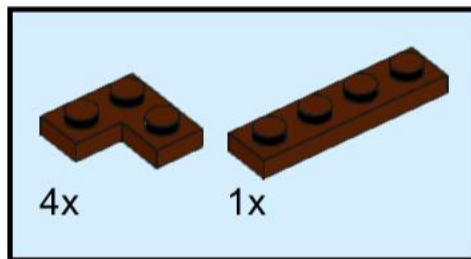
# 2



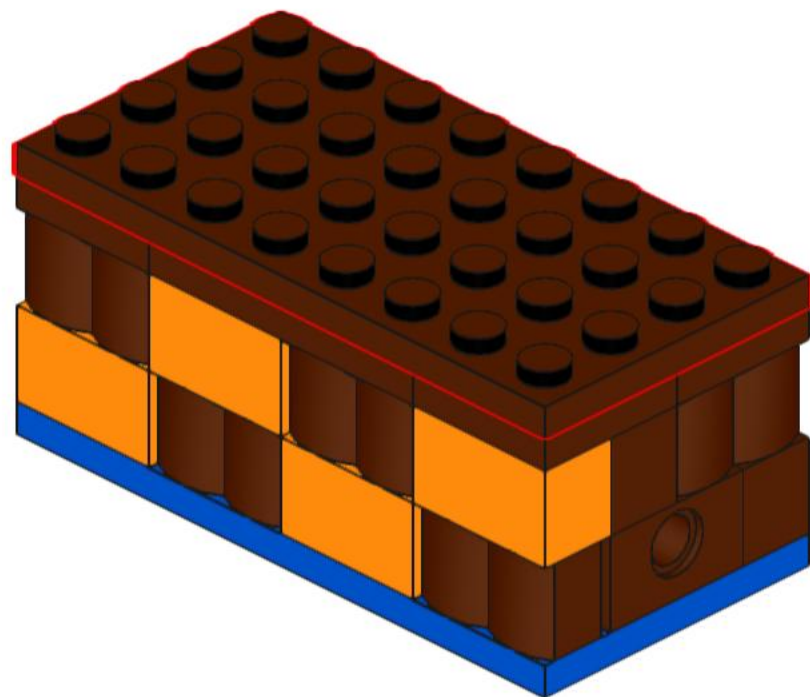
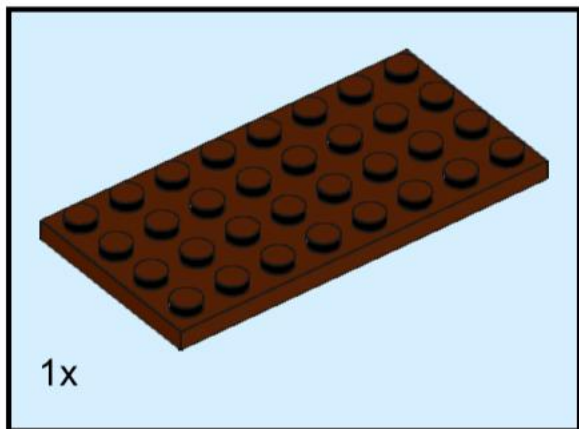
# 3



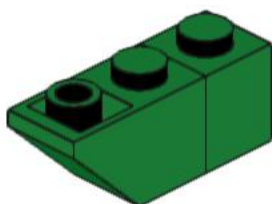
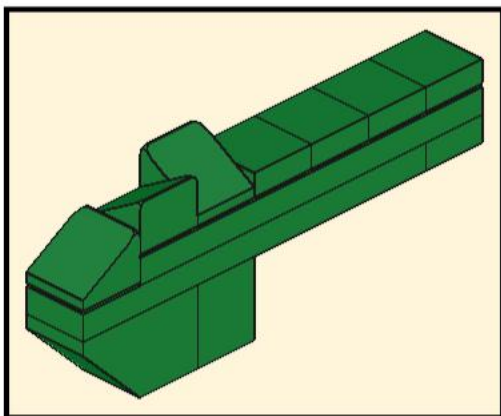
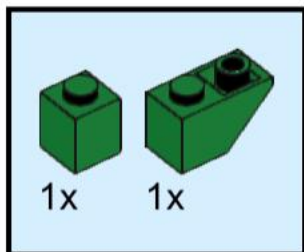
# 4



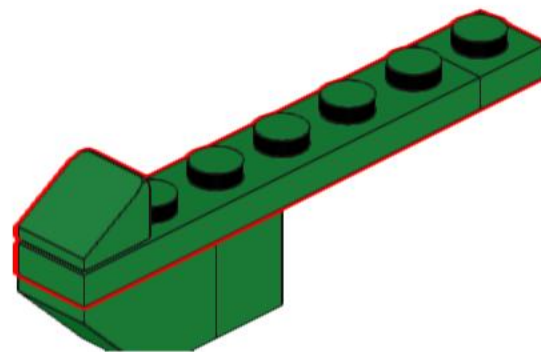
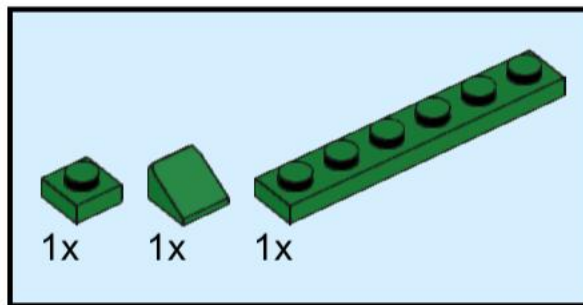
5



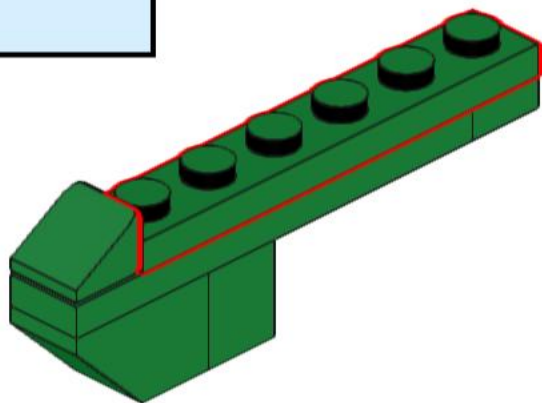
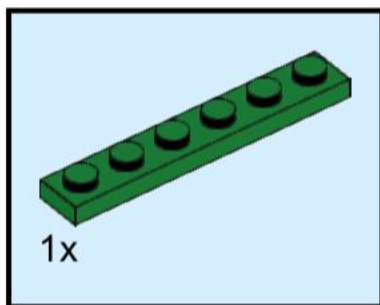
6



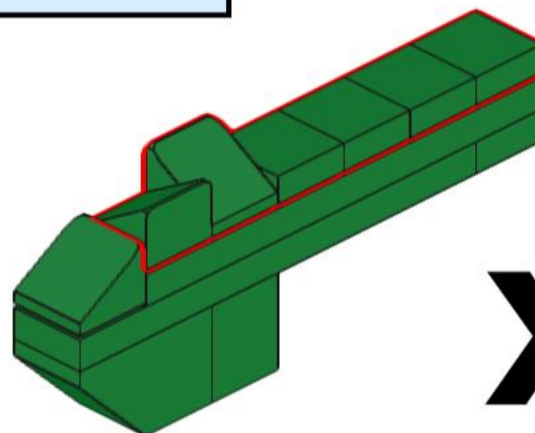
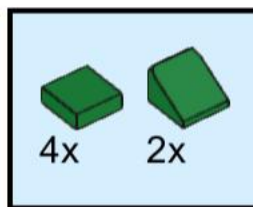
7



8

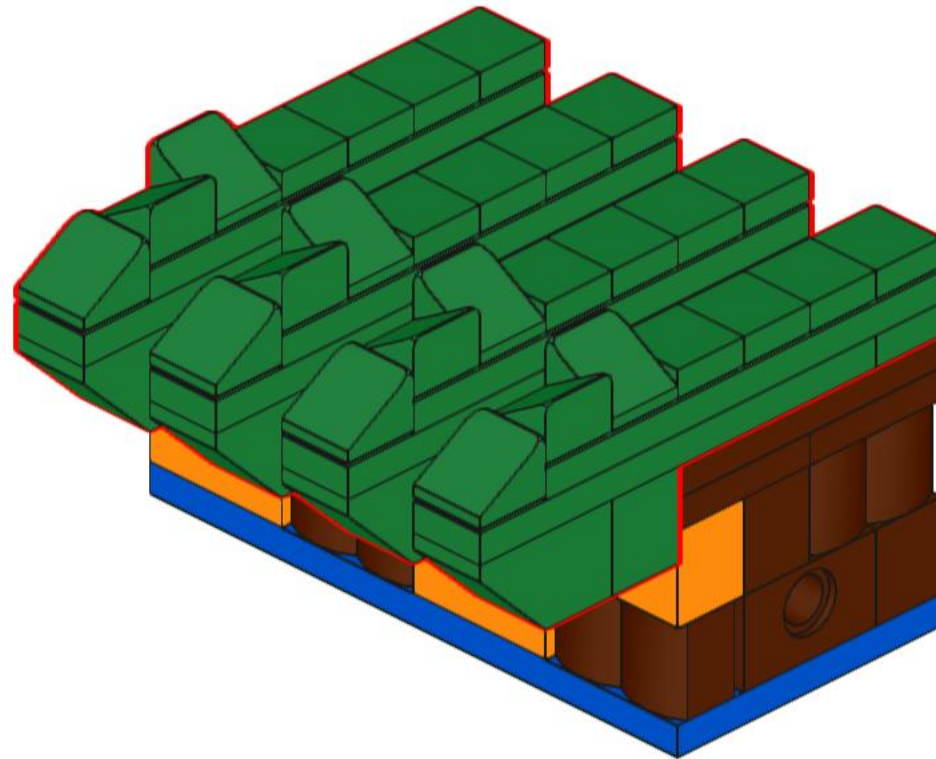
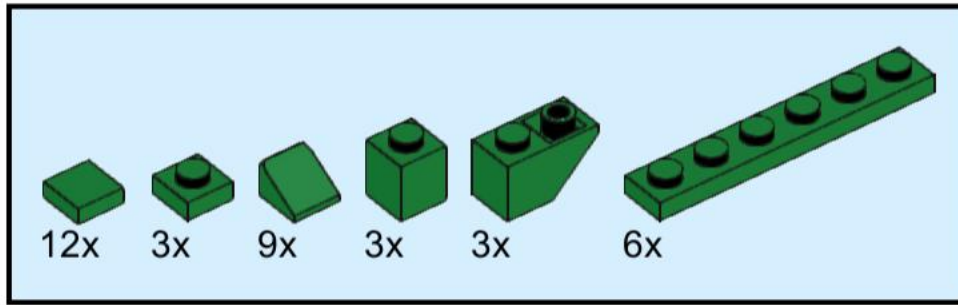


9

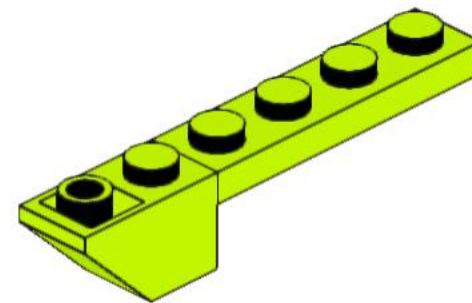
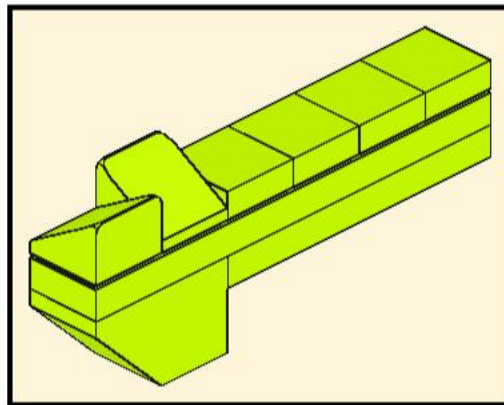
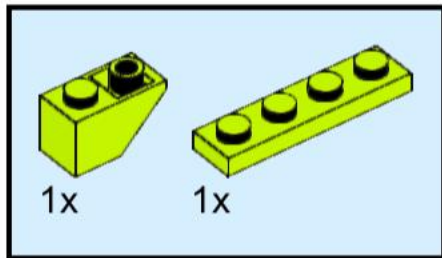


x4

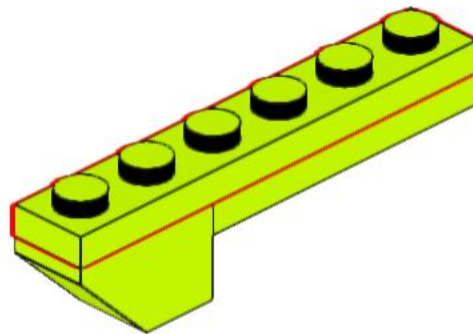
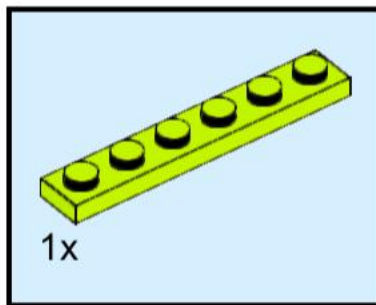
# 10



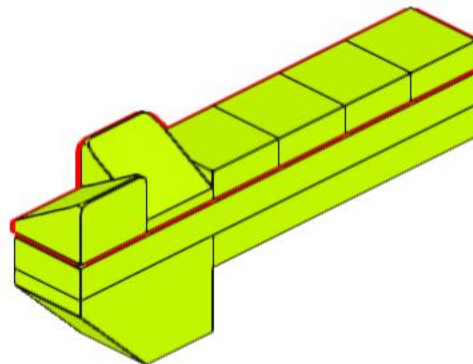
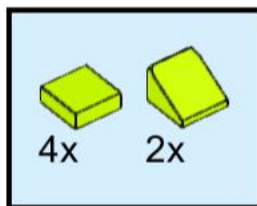
# 11



# 12

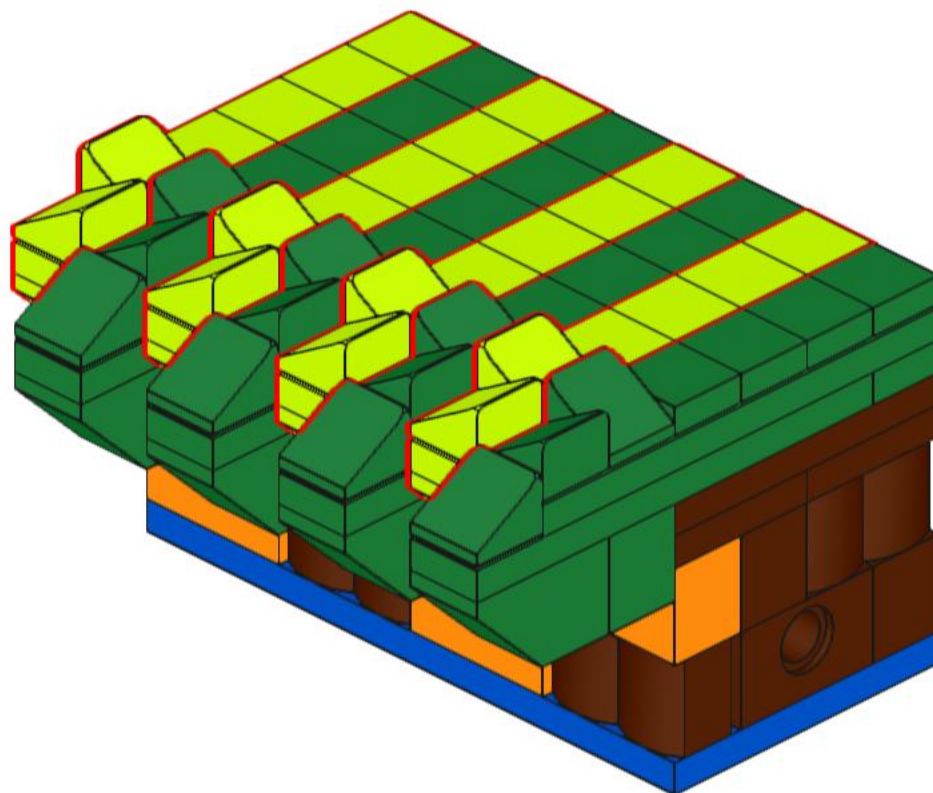
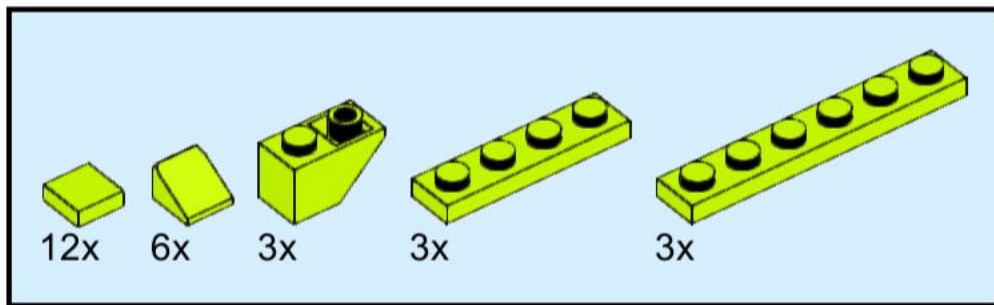


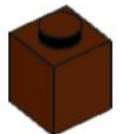
# 13




# x4

# 14







2x  
3005, 88



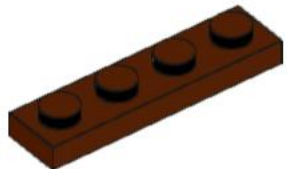
6x  
30136, 88



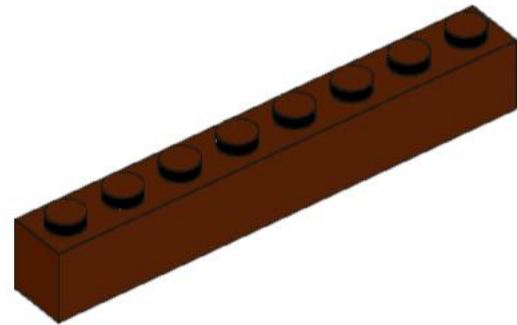
2x  
3700, 88



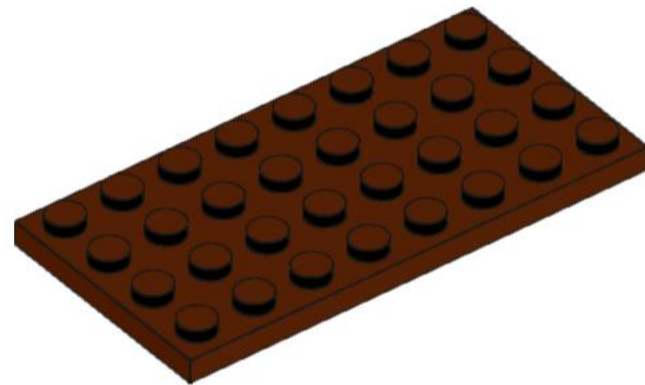
4x  
2420, 88



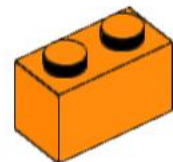
1x  
3710, 88




1x  
3008, 88



1x  
3035, 88



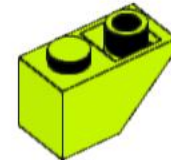
4x  
3004, 4



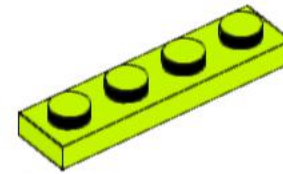
16x  
3070b, 34



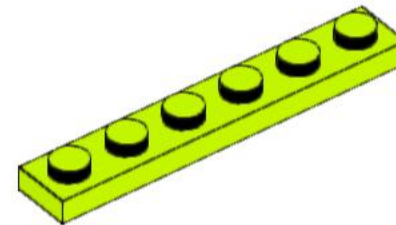
8x  
54200, 34



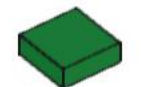
4x  
3665, 34



4x  
3710, 34



4x  
3666, 34



16x  
3070b, 6



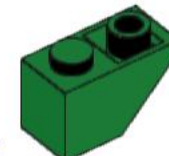
4x  
3024, 6



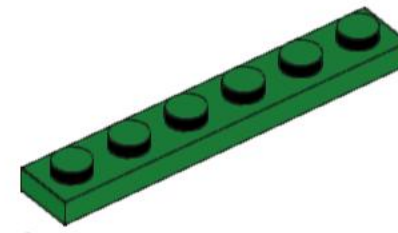
12x  
54200, 6



4x  
3005, 6

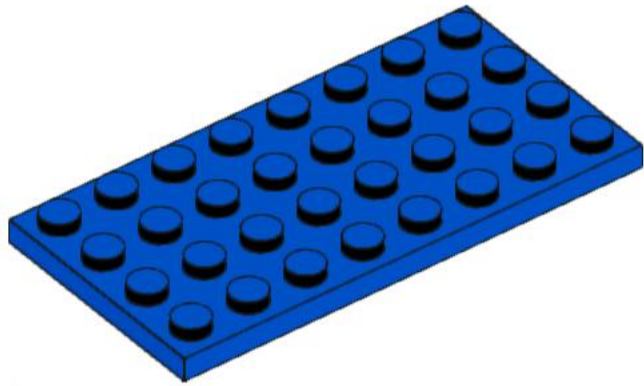


4x  
3665, 6



8x  
3666, 6





1x  
3035, 7